

# Makoswater ...nature is the key

## ELITE SYSTEM



# Water Treatment



ELITE.PRC

DOSING SYSTEM



## Main characteristics

- DIGITAL CONTROL SYSTEM of pH/ Rx with two peristaltic pumps for chemical regulation for indoor and outdoor swimming pools.
- 16 characters x 2 lines DISPLAY (Blue/ White)
- 100 ÷ 240 Vac Power supply 50/ 60 Hz

# Water Treatment



## Technical features

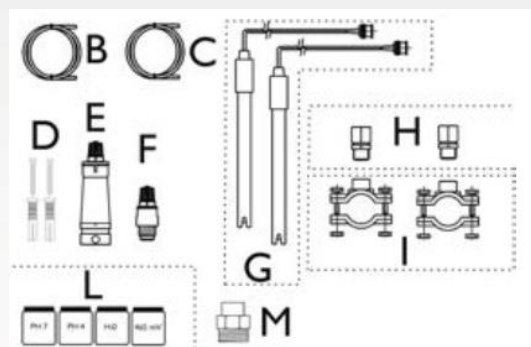
CONSUMPTION	WEIGHT	DIMENSIONS	RANGE	FLOW	PRESSURE	POWER SUPPLY
18 w	1 Kg	286x234x108 mm	0÷14,0 Ph 0÷4 ppm	1,5 or 5 L/h	1,5 bar	100÷240 Vac

### ELITE.PRC

POOL'S DIMENSION	1,5 L/h: Indoor from 1m <sup>3</sup> to 150m <sup>3</sup> ; Outdoor from 1m <sup>3</sup> to 110m <sup>3</sup> 5 L/h: Indoor from 50m <sup>3</sup> to 350m <sup>3</sup> ; Outdoor from 50m <sup>3</sup> to 300m <sup>3</sup>
2 PERISTALTIC DOSING PUMPS	Santoprene tube Flow rates 1,5 or 5 L/h; Pressure 1,5 bar
MAIN BOARD	Alphanumeric display, 16 characters X 2 lines Power supply 220÷240 Vac 50/60Hz
ENCLOSURE BOX	Dimensions 286 x 234 x 108 mm; PP Box; Protection degree: IP65

## Installation Kit

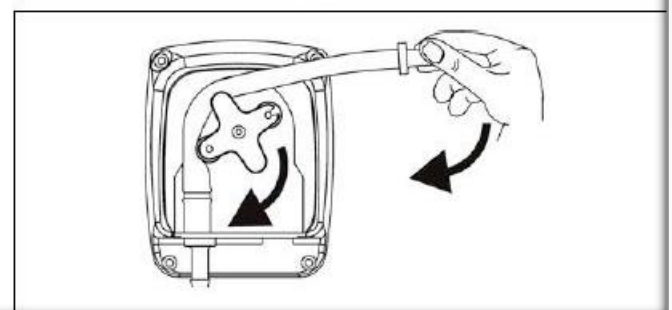
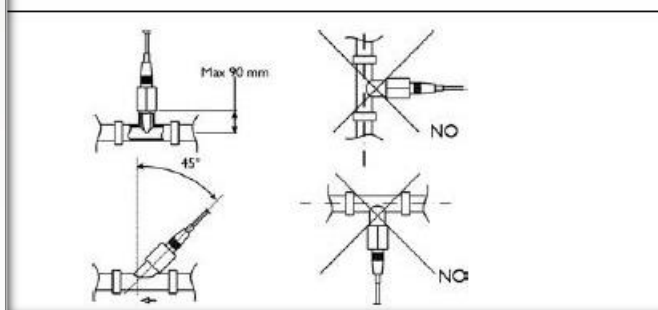
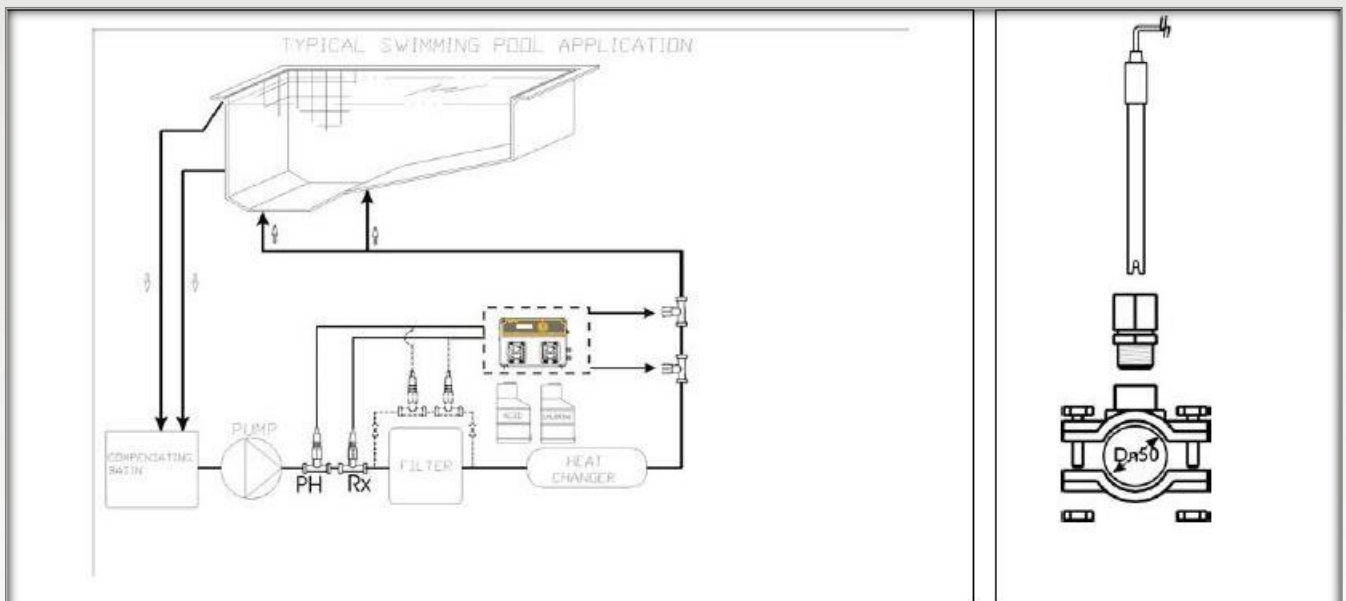
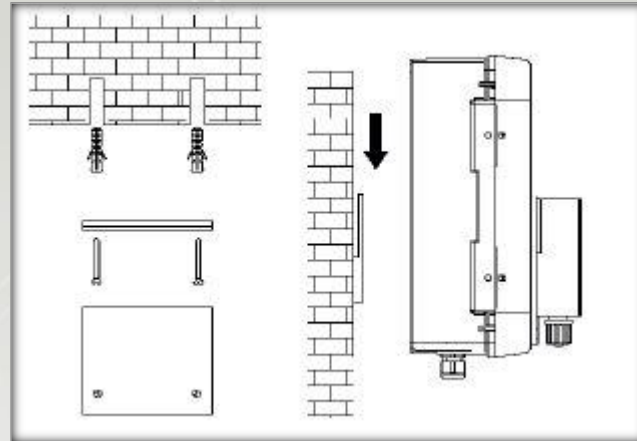
- B)** 4x6mm PVC Crystal hose (4 m)
- C)** 4x6mm Polyethylene delivery hose (4m)
- D)** Screws
- E)** Foot filter
- F)** FPM injection valve (3/8" GAS) with non-return lip valve
- G)** PH and Chlorine probes
- H)** Probe holders (1/2" GAS)
- I)** Tapping saddle for securing probe holder onto 2" hose
- L)** pH 4, pH 7, H<sub>2</sub>O buffer solution kit
- M)** Reducer for injection valve





# Water Treatment

## Example of Installation





# Water Treatment



## ELITE.PR DOSING SYSTEM



### Main characteristics

- DIGITAL CONTROL SYSTEM of pH/ Rx with two peristaltic pumps for chemical regulation for indoor and outdoor swimming pools.
- 16 characters x 2 lines DISPLAY (Blue/ White)
- 100 ÷ 240 Vac Power supply 50/ 60 Hz

# Water Treatment



## Technical features

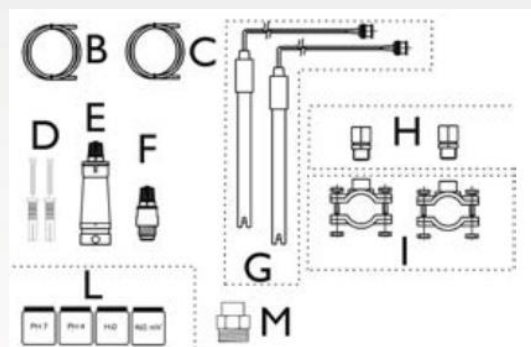
CONSUMPTION	WEIGHT	DIMENSIONS	RANGE	FLOW	PRESSURE	POWER SUPPLY
18 w	1 Kg	286x234x108 mm	0÷14,0 Ph 0÷1000 mV	1,5 or 5 L/h	1,5 bar	100÷240 Vac

### ELITE.PR

POOL'S DIMENSION	1,5 L/h: Indoor from 1m <sup>3</sup> to 150m <sup>3</sup> ; Outdoor from 1m <sup>3</sup> to 110m <sup>3</sup> 5 L/h: Indoor from 50m <sup>3</sup> to 350m <sup>3</sup> ; Outdoor from 50m <sup>3</sup> to 300m <sup>3</sup>
2 PERISTALTIC DOSING PUMPS	Santoprene tube Flow rates 1,5 or 5 L/h; Pressure 1,5 bar
MAIN BOARD	Alphanumeric display, 16 characters X 2 lines Power supply 220÷240 Vac 50/60Hz
ENCLOSURE BOX	Dimensions 286 x 234 x 108 mm; PP Box; Protection degree: IP65

## Installation Kit

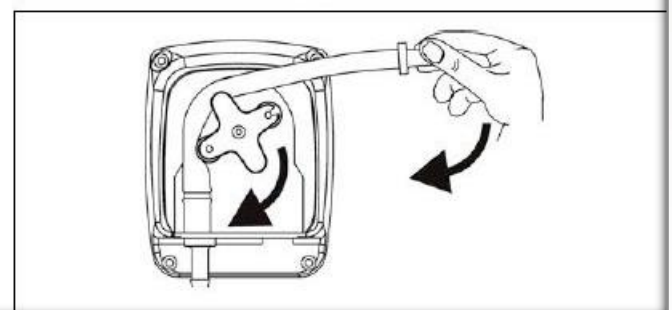
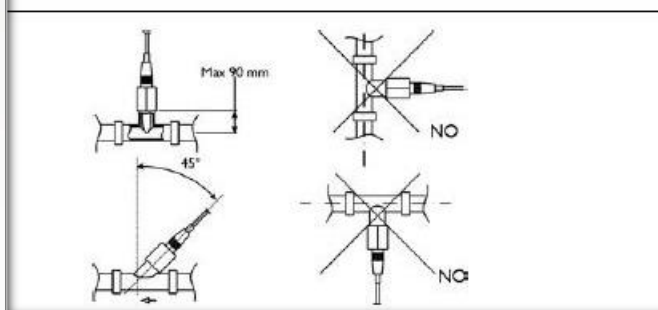
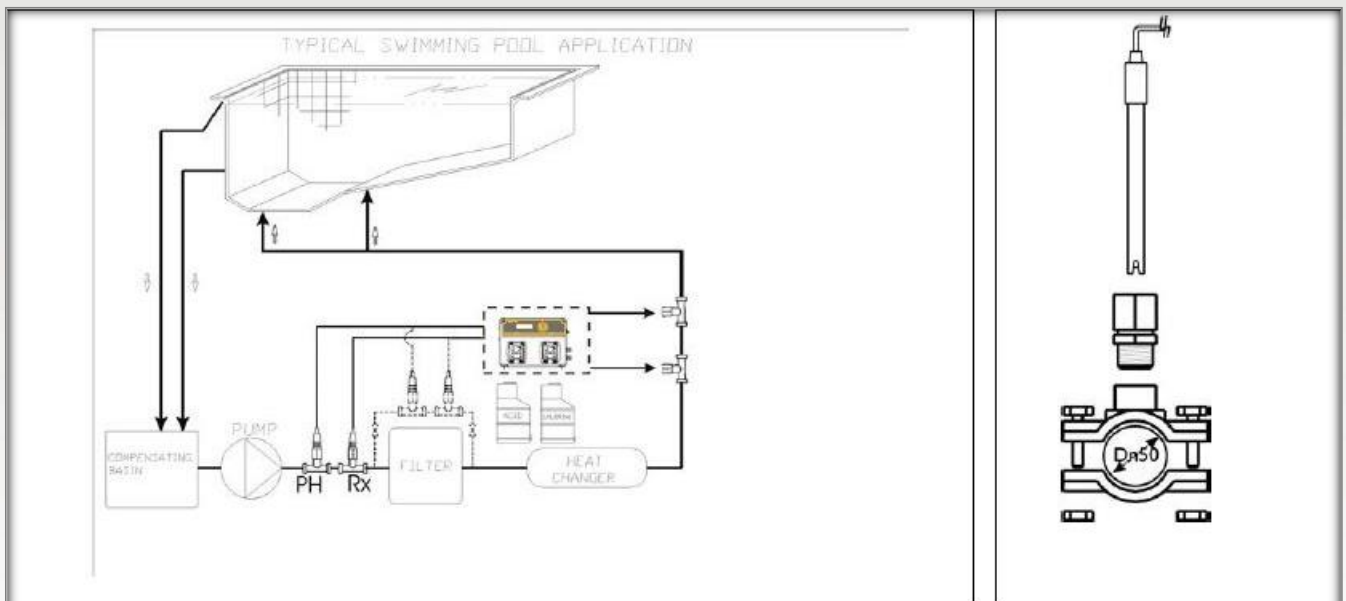
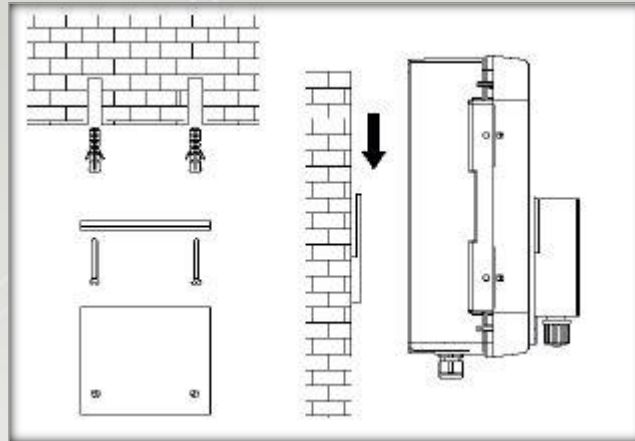
- B)** 4x6mm PVC Crystal hose (4 m)
- C)** 4x6mm Polyethylene delivery hose (4m)
- D)** Screws
- E)** Foot filter
- F)** FPM injection valve (3/8" GAS) with non-return lip valve
- G)** PH and Redox probes
- H)** Probe holders (1/2" GAS)
- I)** Tapping saddle for securing probe holder onto 2" hose
- L)** pH 4, pH 7, 465 mV, H<sub>2</sub>O buffer solution kit
- M)** Reducer for injection valve





# Water Treatment

## Example of Installation



MAKOSWATER  
NARVA MNT 5  
10117 Tallinn  
ESTONIA